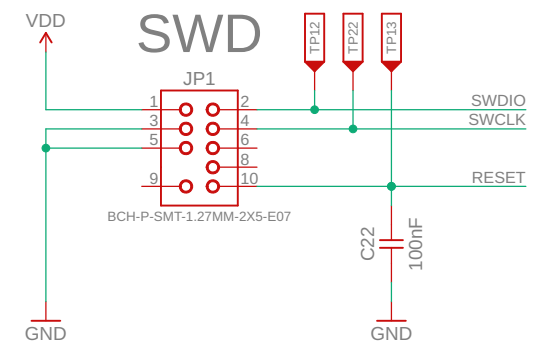
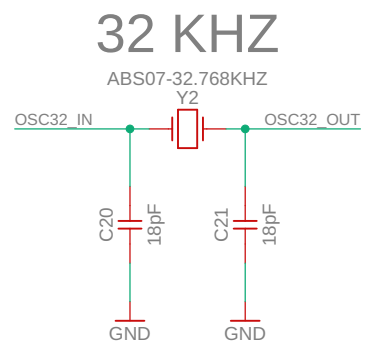
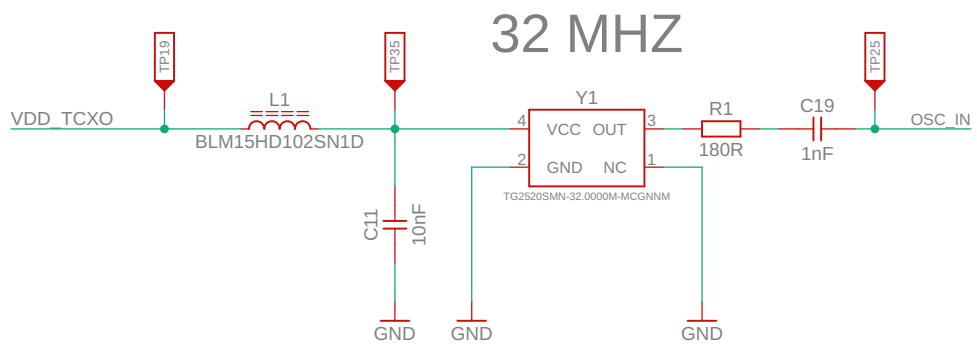
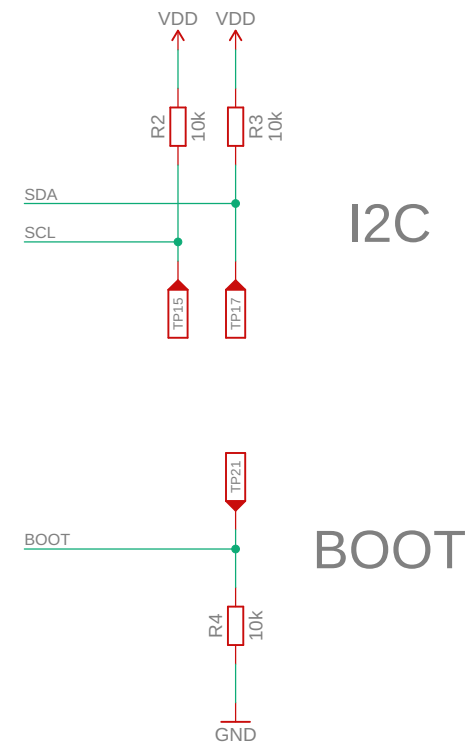


SIGNALS MARKED *** ARE SUPPOSED TO BE EXTERNAL INTERRUPT INPUTS
 PORT A: 2,3,7,11
 PORT B: 4,5,8,12



HARDWARIO AGILE HARDWARE DEVELOPMENT WWW.HARDWARIO.COM	STICKER	
	REVISION: 2.1	
	MODIFIED: 02.01.2025 9:05	1/5