

ETH

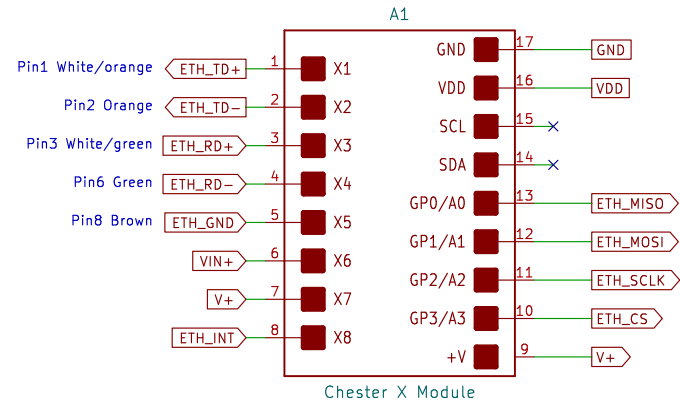


File: ETH.kicad_sch

STEP-DOWN



File: STEP-DOWN.kicad_sch



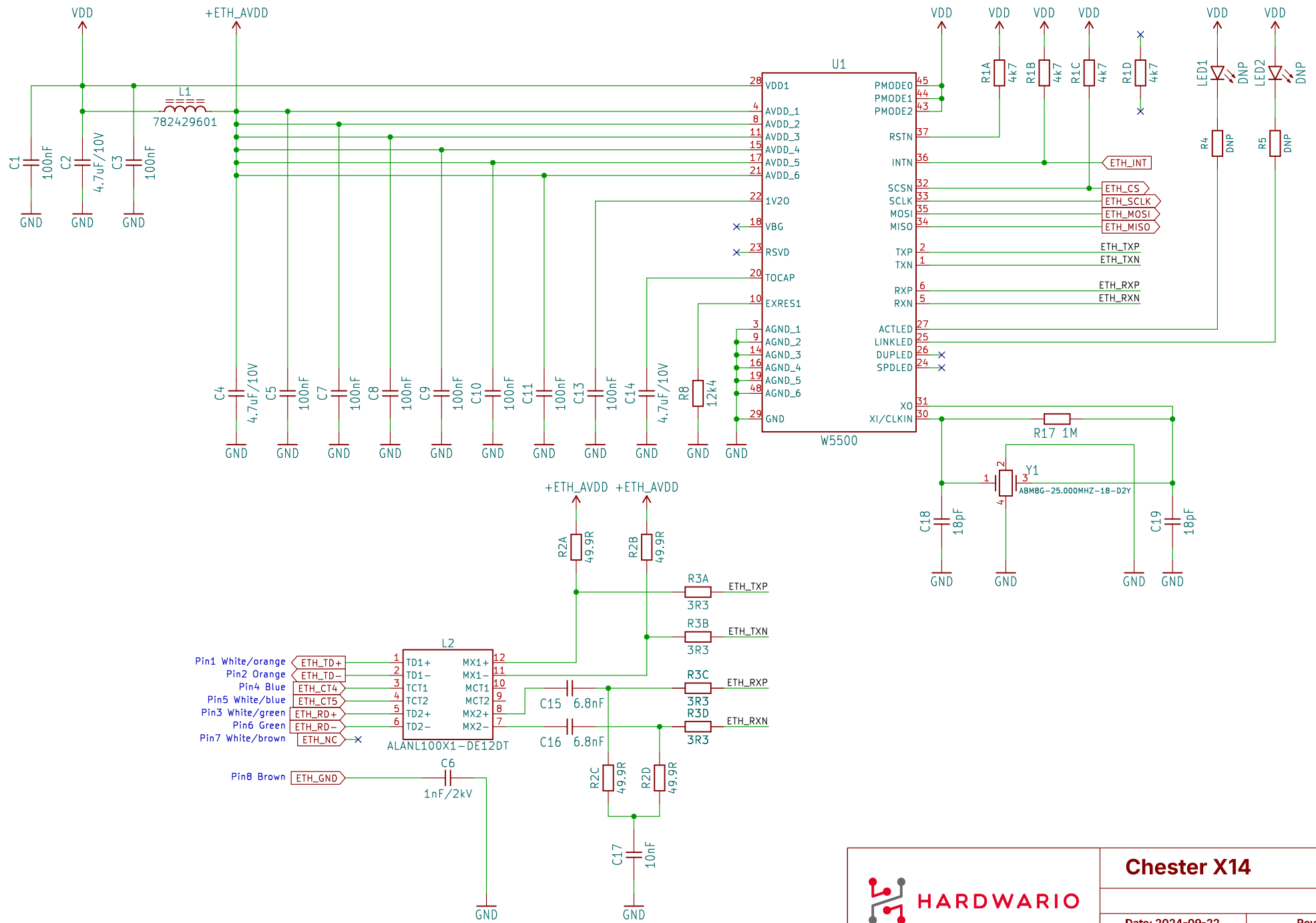
Chester X14

Date: 2024-09-22

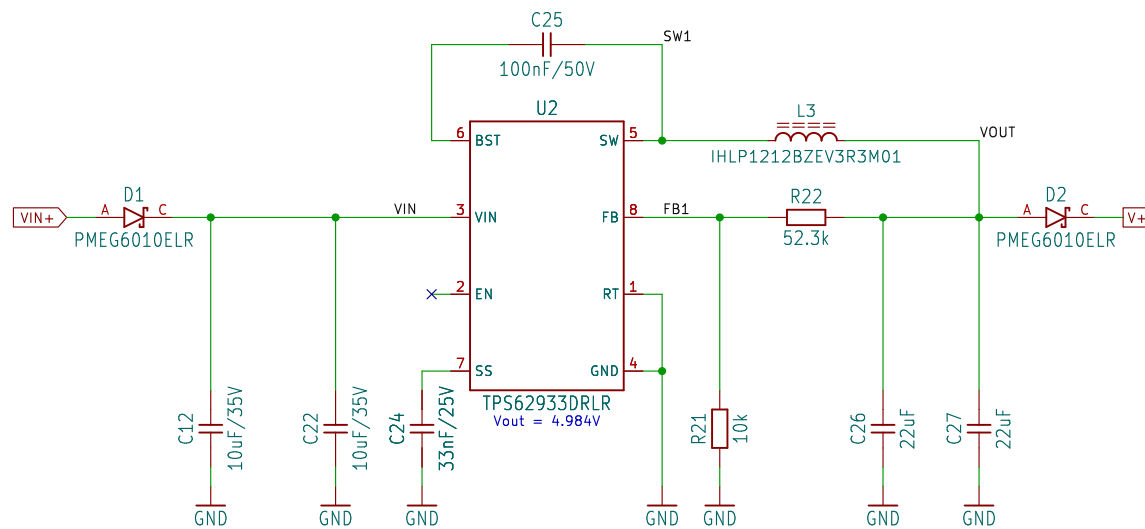
Rev: 1.0

Page size: A4

Sheet: 1/3



 HARDWARIO	Chester X14	
	Date: 2024-09-22	Rev: 1.0
	Page size: A4	Sheet: 2/3



Chester X14

Date: 2024-09-22

Rev: 1.0

Page size: A4

Sheet: 3/3