

CAN

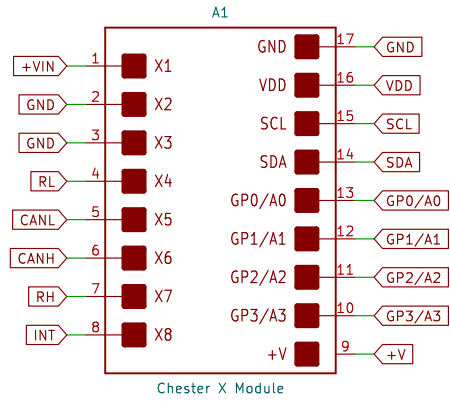


File: CAN.kicad\_sch

STEP-DOWN



File: STEP-DOWN.kicad\_sch



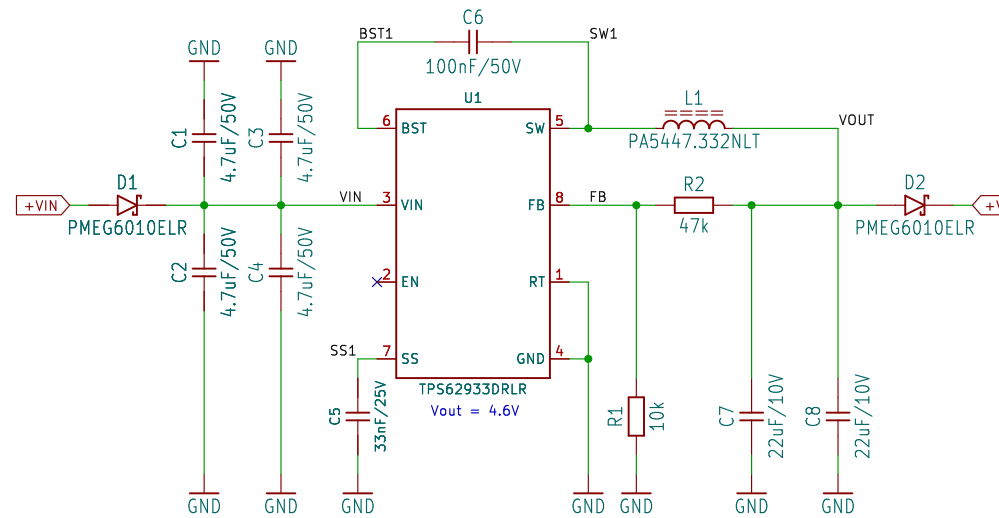
### CHESTER X13

Date: 2024-11-28

Rev: 1.2

Page size: A4

Sheet: 1/3



## CHESTER X13

Date: 2024-11-28

Rev: 1.2

Page size: A4

Sheet: 2/3

